



SHURE WL183 Lavalier Condenser Microphone User Guide

November 25, 2021 November 25, 2021

[Home](#) » [Shure](#) » SHURE WL183 Lavalier Condenser Microphone User Guide 📄

SHURE WL183 Lavalier Condenser Microphone User Guide



Contents [[hide](#)]

1 General Description

1.1 Model Variations

2 Installation

3 Changing Cartridges

4 Specifications

5 Replacement Parts

6 Certifications

7 Documents / Resources

7.1 Related Manuals / Resources

General Description



Models WL183, WL184 and WL185 are lavalier electret condenser microphones for use with a wireless bodypack transmitter. Each microphone has a 1.2 meter (4 ft.) cable terminated with a miniature 4 pin connector (TA4F). The furnished tie clip can be rotated in 90° intervals for placement flexibility.

Model Variations

WL183 (Omnidirectional): General purpose sound reinforcement, recording, or remote monitoring applications. Low handling noise. Pickup angle is 360°. WL184 (Supercardioid): Sound reinforcement applications requiring high rejection of ambient noise and narrow pickup angle. Use of windscreen highly recommended. Pickup angle is 115°. WL185 (Cardioid): General purpose sound reinforcement applications requiring good rejection of ambient noise. Use of windscreen highly recommended. Pickup angle is 130°.

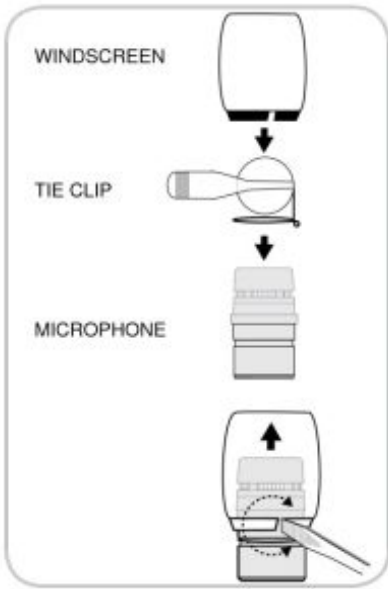
Installation

1. Insert the top of the microphone through tie clip loop from below until tie clip loop snaps into place over the lower groove on the microphone.
2. To install the snap-fit windscreen, press it down on the microphone until it clicks into place inside the upper groove on the microphone. The snap-fit windscreen provides 30 dB of pop protection.
3. Attach the microphone approximately 76 mm to 152 mm (3 to 6 in.) below the neckline.

• Note

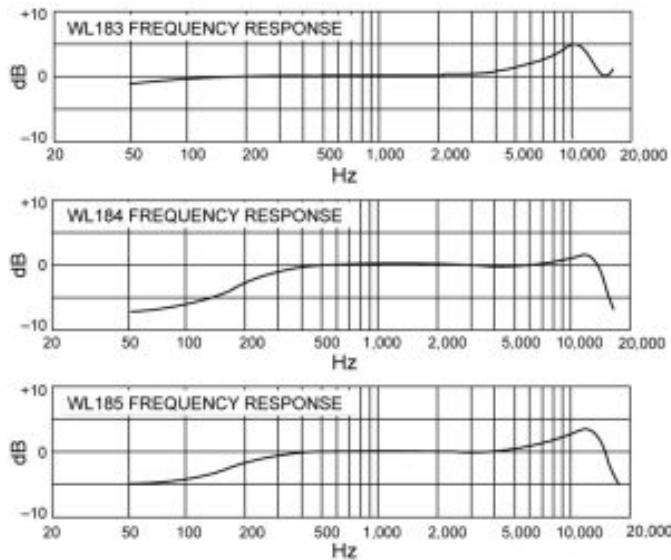
- The snap-fit windscreen can be removed by spreading the slot in the plastic snapfit ring.
- To install the smaller foam windscreen, slip the windscreen over the top of the microphone so that it covers the side slots. The foam windscreen provides 5 to 10 dB of pop protection

NOTE: Do not cover the microphone with your hand or clothing

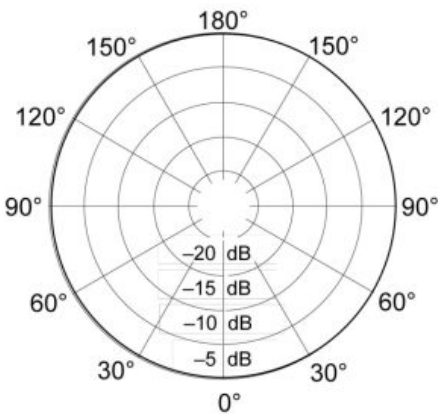


Changing Cartridges

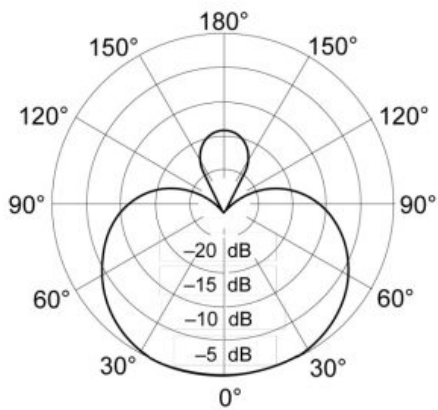
The WL183, WL184, and WL185 microphones use interchangeable cartridges. To change the cartridge, unscrew it from the microphone base and replace it with one of the replacement cartridges listed below.



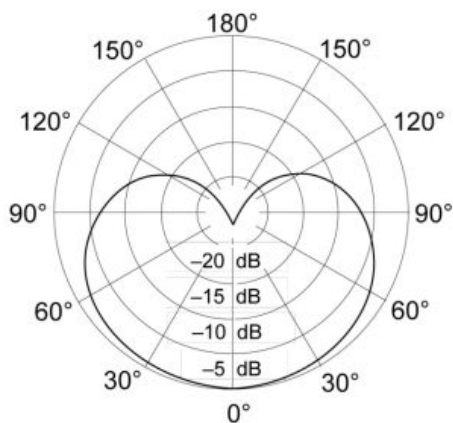
OMNIDIRECTIONAL (WL183)



SUPERCARDIOID (WL184)



CARDIOID (WL185)



Specifications

Type

Condenser (electret bias)

Frequency Response

50 to 17,000 Hz

Output Impedance

1800 Ω

Sensitivity^[1]

WL183 -40.0 dBV/Pa

WL184 -44.5 dBV/Pa

WL185 -45.5 dBV/Pa

Maximum SPL

WL183 125.0 dB SPL

WL184 129.5 dB SPL

WL185 130.5 dB SPL

Self Noise (A-Weighted)

WL183 22.5 dB SPL

WL184 27.0 dB SPL

WL185 28.0 dB SPL

Dynamic Range

102.5 dB

Polarity

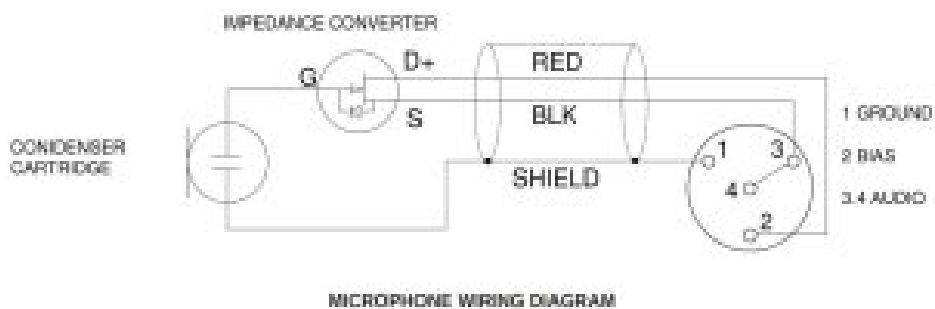
Positive pressure on diaphragm produces positive voltage on pin 3 with respect to pin 1

Power Requirements

Regulated nominal +5 Vdc (1.5 Vdc to 10 Vdc) provided at microphone connector pin 2 relative to pin 1 of a Shure wireless microphone transmitter

[1][1] Pa = 94 dB SPL

MICROPHONE WIRING DIAGRAM



Replacement Parts

Black Omnidirectional Cartridge for all MX- (Microflex®) Models and WL183 R183B

Black Supercardioid Cartridge for all MX- (Microflex®) and WL183, WL184 and WL185 Models R184B

Black Cardioid Cartridge for WL185 and all MX- (Microflex®) Models R185B

Black Snap-Fit Foam Windscreens (4) for SM35, BETA98, BETA98A, BETA98/S, BETA98D/S, BETA98H/C, MX183, MX184, MX185, MX202, WH30, WL183, WL184 and WL185 RK183WS

Black Small Foam Windscreens (4) for MX183, MX184, MX185, SM84, WL84A, WL183, WL184 and WL185 RK261BWS

Single Mount Tie-Clips (2) for MX183, MX184 and MX185, WL183, WL184 and WL185 RK183T1

4-Pin Mini Connector (TA4F/TQG) WA330

Certifications

This product meets the Essential Requirements of all relevant European directives and is eligible for CE marking.

The CE Declaration of Conformity can be obtained from: www.shure.com/europe/compliance

Authorized European representative: Shure Europe GmbH

Headquarters Europe, Middle East & Africa Department: EMEA Approval

Jakob-Dieffenbacher-Str. 12 75031 Eppingen, Germany

Phone: +49-7262-92 49 0

Fax: +49-7262-92 49 11 4

Email: info@shure.de

Documents / Resources

[SHURE WL183 Lavalier Condenser Microphone](#) [pdf] User Guide WL183, WL184, WL185, Lavalier Condenser Microphone

Related Manuals / Resources



[audio-technica ES945WO/TB3 Omnidirectional Condenser Boundary Microphone Instructions](#)

Quick Start Guide ES945O/TB3 ES945WO/TB3 Included accessories How to Mount the product Example: Mounting on a table Connection...



[hama Smart Lavalier Microphone Instruction Manual](#)

Lavalier Microphone SMART 00 004634 Operating Instructions Operating instruction Controls and Displays Negative pole Contact breaker Positive pole...

[VMV I2S User Manual](#)

VMV I2S



[AUSTRALIAN MONITOR IMGC450 Gooseneck Microphone User Guide](#)

AUSTRALIAN MONITOR IMGC450 Gooseneck Microphone BOX CONTAINS 1 x IMGC450 Gooseneck Microphone 1 x Isolated shock mount 3...

[Manuals+](#)

- [home](#)
- [privacy](#)